

# SA-501

## SPECIFICATION

- SHOWER ARM WALL-MOUNTED MADE OF SOLID BRASS
- SLIP-FIT INSTALLATION

## AVAILABLE OPTION

- N/A

## FINISH AVAILABLE

- CHROME

## CONNECTION

- ½IN MALE NPT

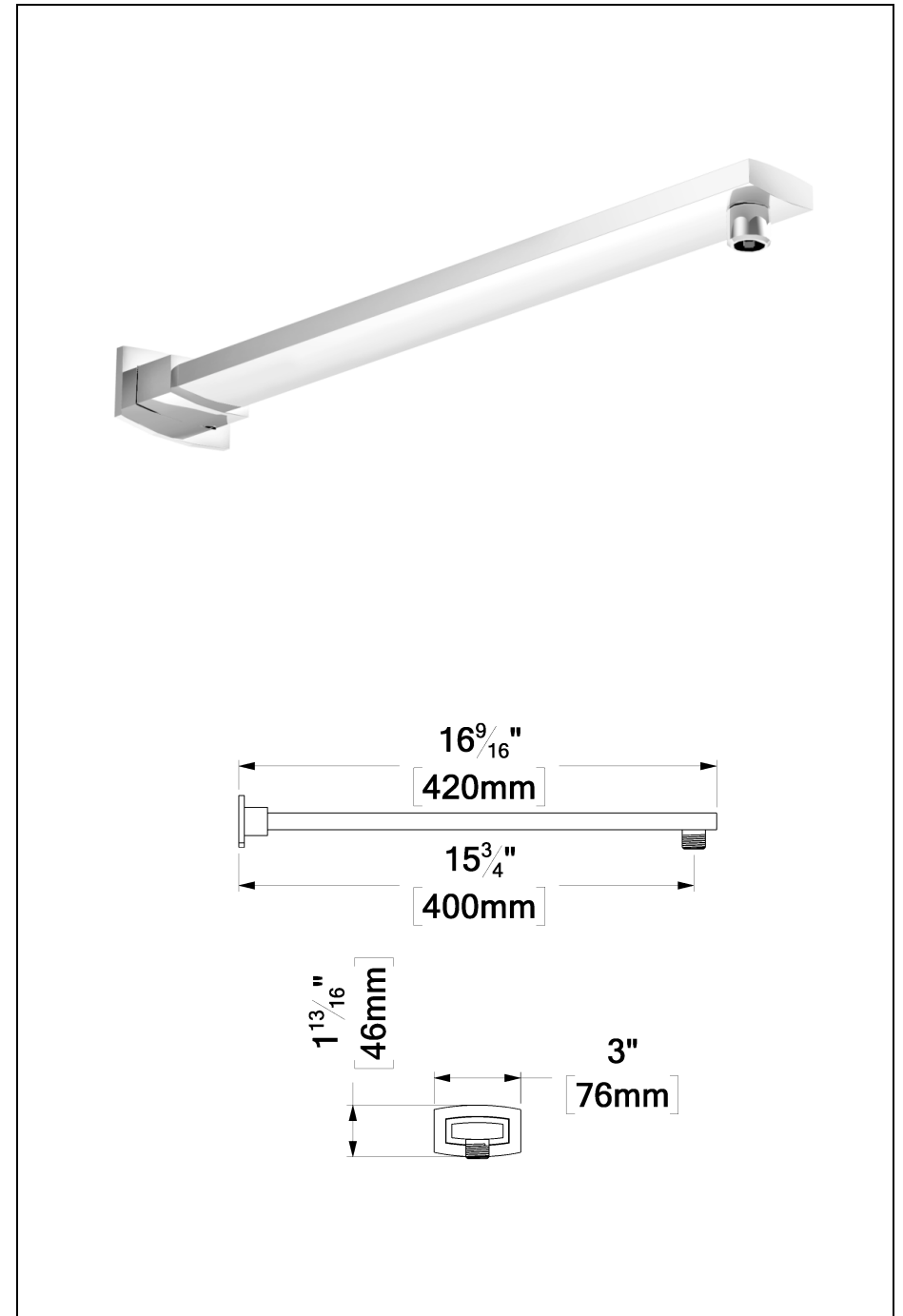
## WARRANTY

PRODUCTS COVERED BY A LIMITED LIFETIME WARRANTY AGAINST ALL MANUFACTURING DEFECTS.

FOR MORE INFORMATION ABOUT THE PRODUCT OF BEFORE PROCEEDING TO ANY INSTALLATION PLEASE CONSULT THE GUIDE



Intertek ASME 112.118.1 / CSA B125.1



THE PRODUCT MAY VARY SLIGHTLY FROM ITS DIMENSION AND APPEARANCE.

EDITION.:02/2018