

BS-306

SPECIFICATION

- TUB SPOUT MADE OF SOLID BRASS
- SLIP-FIT INSTALLATION

AVAILABLE OPTION

- N/A

FINISH AVAILABLE

- CHROME

CONNECTION

- 1/2" IN MALE NPT

FLOW RATE

- 25 L/MIN [6.6 GPM] @ 60 PSI

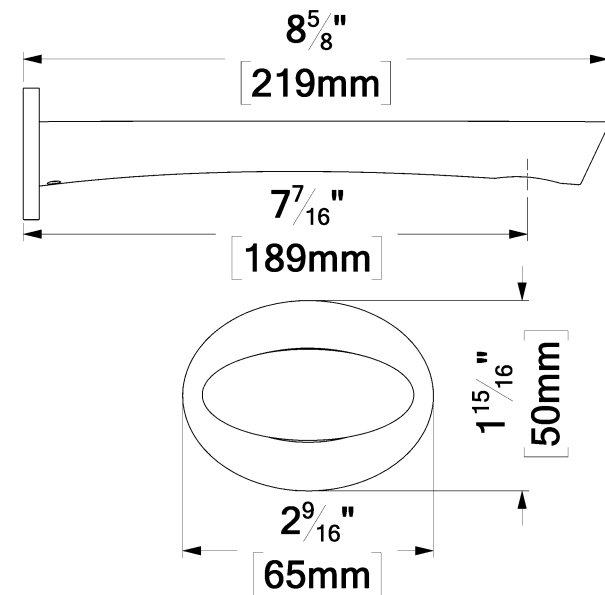
WARRANTY

PRODUCTS COVERED BY A LIMITED LIFETIME WARRANTY AGAINST ALL MANUFACTURING DEFECTS.

FOR MORE INFORMATION ABOUT THE PRODUCT OF BEFORE PROCEEDING TO ANY INSTALLATION PLEASE CONSULT THE GUIDE



Intertek ASME 112.118.1 / CSA B125.1



THE PRODUCT MAY VARY SLIGHTLY FROM ITS DIMENSION AND APPEARANCE.

REV...02/2018