

HS-205

SPECIFICATION

- HAND SHOWER 1 FUNCTION MADE OF PVC
- ANTI-LIMESTONE SILICONE NOZZLES

AVAILABLE OPTION

- N/A

FINISH AVAILABLE

- CHROME

CONNECTION

- ½IN MALE NPT

FLOW RATE

- 9.5 L/MIN [2.5 GPM] @ 60 PSI

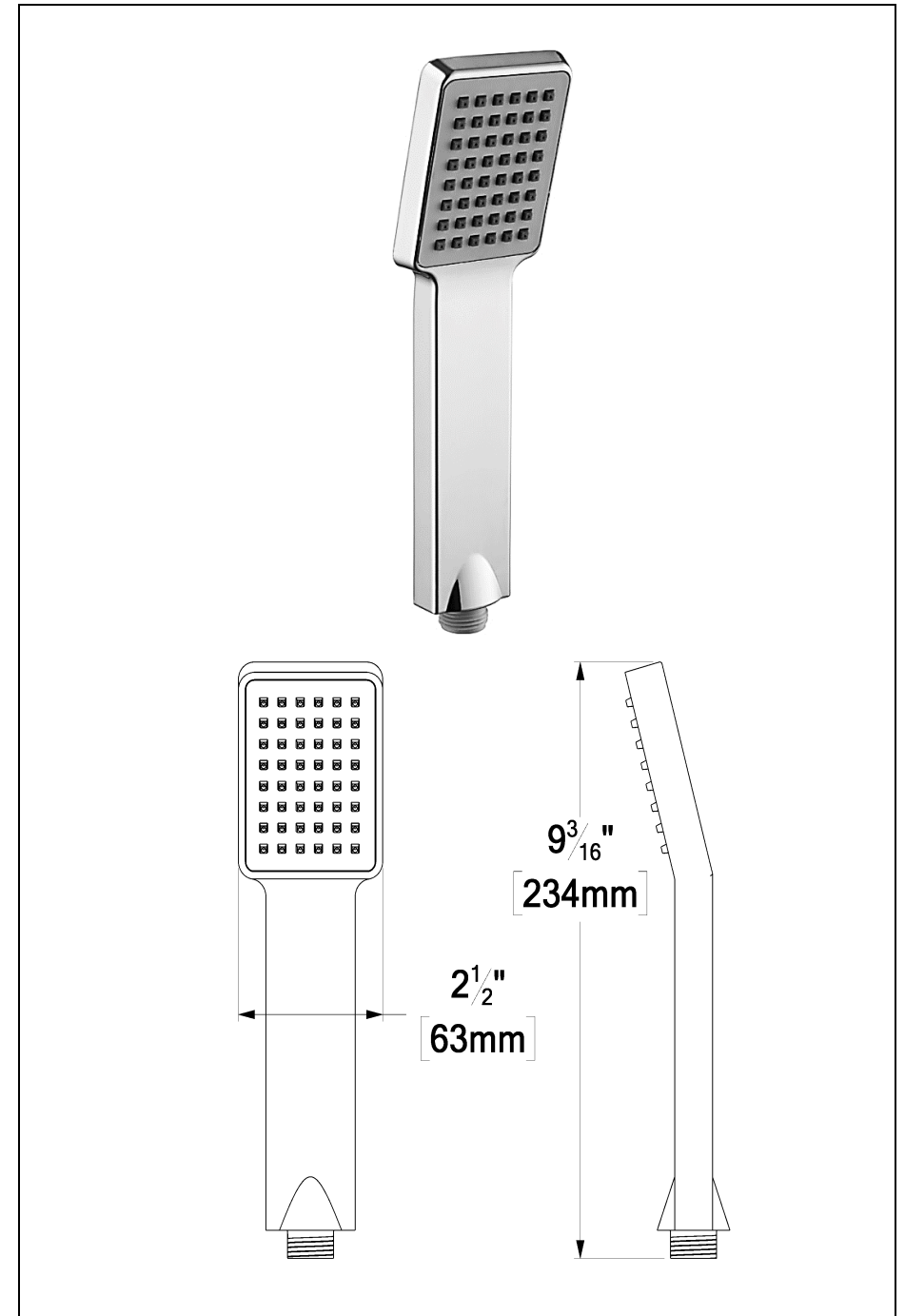
WARRANTY

PRODUCTS COVERED BY A LIMITED LIFETIME WARRANTY AGAINST ALL MANUFACTURING DEFECTS.

FOR MORE INFORMATION ABOUT THE PRODUCT OF BEFORE PROCEEDING TO ANY INSTALLATION PLEASE CONSULT THE GUIDE



Intertek ASME 112.118.1 / CSA B125.1



THE PRODUCT MAY VARY SLIGHTLY FROM ITS DIMENSION AND APPEARANCE.

EDITION:02/2018