



SSTS-12-S

SPECIFICATION

- SHOWER HEAD MADE OF STAINLESS STEEL
- 121 ANTI-LIMESTONE SILICONE NOZZLES

DIMENSIONS

- DIMENSIONS: 30CM x 30CM [12X12IN]
- THICKNESS : 2MM

FINISH AVAILABLE

- CHROME

CONNECTION

- 1/2IN FEMALE

FLOW RATE

- 9.5 L/MIN [2.5 GPM] @ 60 PSI

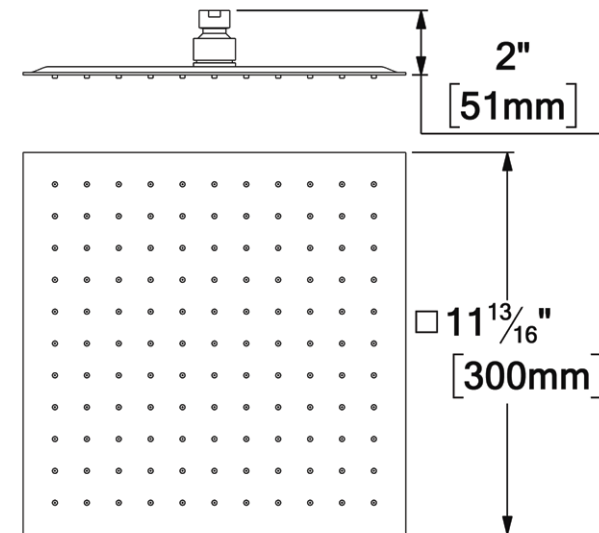
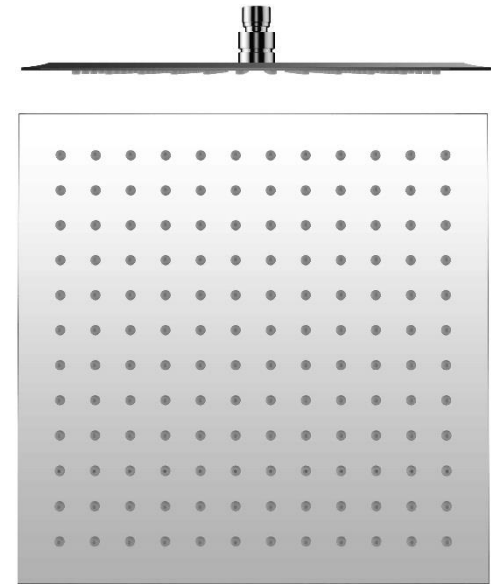
WARRANTY

PRODUCTS COVERED BY A LIMITED LIFETIME WARRANTY AGAINST ALL MANUFACTURING DEFECTS.

FOR MORE INFORMATION ABOUT THE PRODUCT OF BEFORE PROCEEDING TO ANY INSTALLATION PLEASE CONSULT THE GUIDE



Intertek ASME 112.118.1 / CSA B125.1



THE PRODUCT MAY VARY SLIGHTLY FROM ITS DIMENSION AND APPEARANCE.

EDITION.:02/2018